



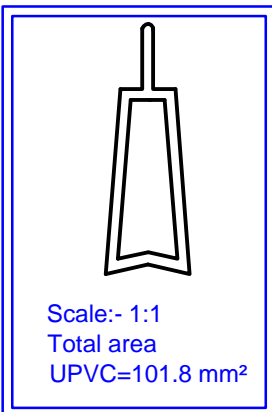
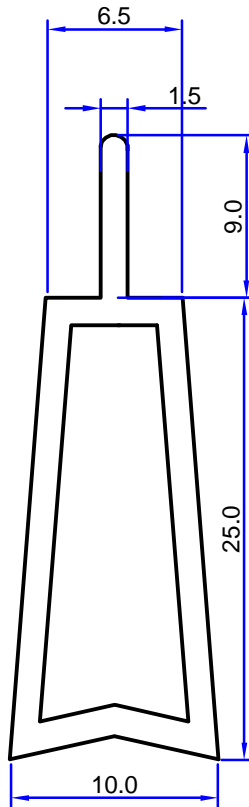
CRACK
INDUCERS &
VOID FORMERS

JANUARY
2009

EUROSEAL LTD
6,7, 8 & 11 TAMEBRIDGE INDUSTRIAL
ESTATE
ALDRIDGE ROAD
PERRY BARR
BIRMINGHAM
B42 2TX
TEL:0121 344 4100
FAX: 0121 344 4077
E-MAIL:sales@euroseal.co.uk
WEB:www.euroseal.co.uk

Contents:

Section 1.	C250A – Top part crack inducer.
Section 2.	C250B – Bottom part crack inducer.
Section 3.	C275 – Bottom part crack inducer.
Section 4.	CB40 – 40mm ‘Y’ section crack inducer.
Section 5.	CB75 – 75mm ‘Y’ section crack inducer.
Section 6.	CFW25 – 25mm crack inducer with flange.
Section 7.	CW25 – 25mm crack inducer without flange.
Section 8.	VF201 – 20mm half-void former.
Section 9.	VF202 – 20mm full void former.
Section 10.	VF251 – 25mm half-void former.
Section 11.	VF252 – 25mm full void former.



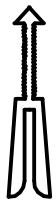
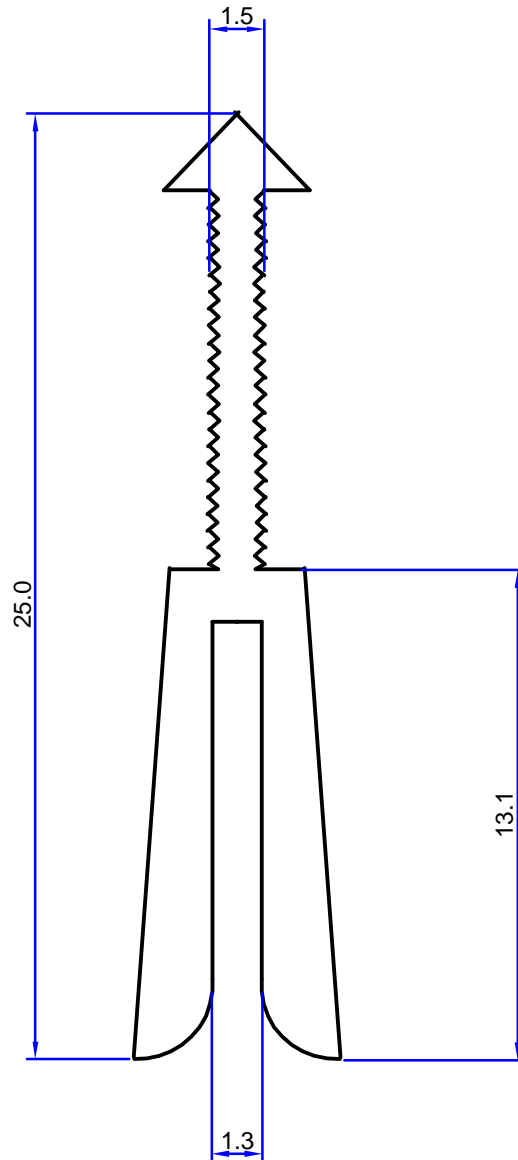
Top Part Crack Inducer	Code No.:C250A
Date :23/01/01	Job No.:
Dim: mm	Drawn: S.C.
Scale 2.5:1, 1:1	Approved:
Tolerance ± 0.5 UNLESS OTHERWISE STATED	Material: Rigid UPVC

Euroseal Ltd
Units 6, 7, 8 & 11
Tamebridge Industrial Est
Aldridge Road
Perry Barr
Birmingham B42 2TX
tel No 0121 344 4100
fax No 0121 344 4077



CB250B (Bottom Part)


CB250A (Top Part)



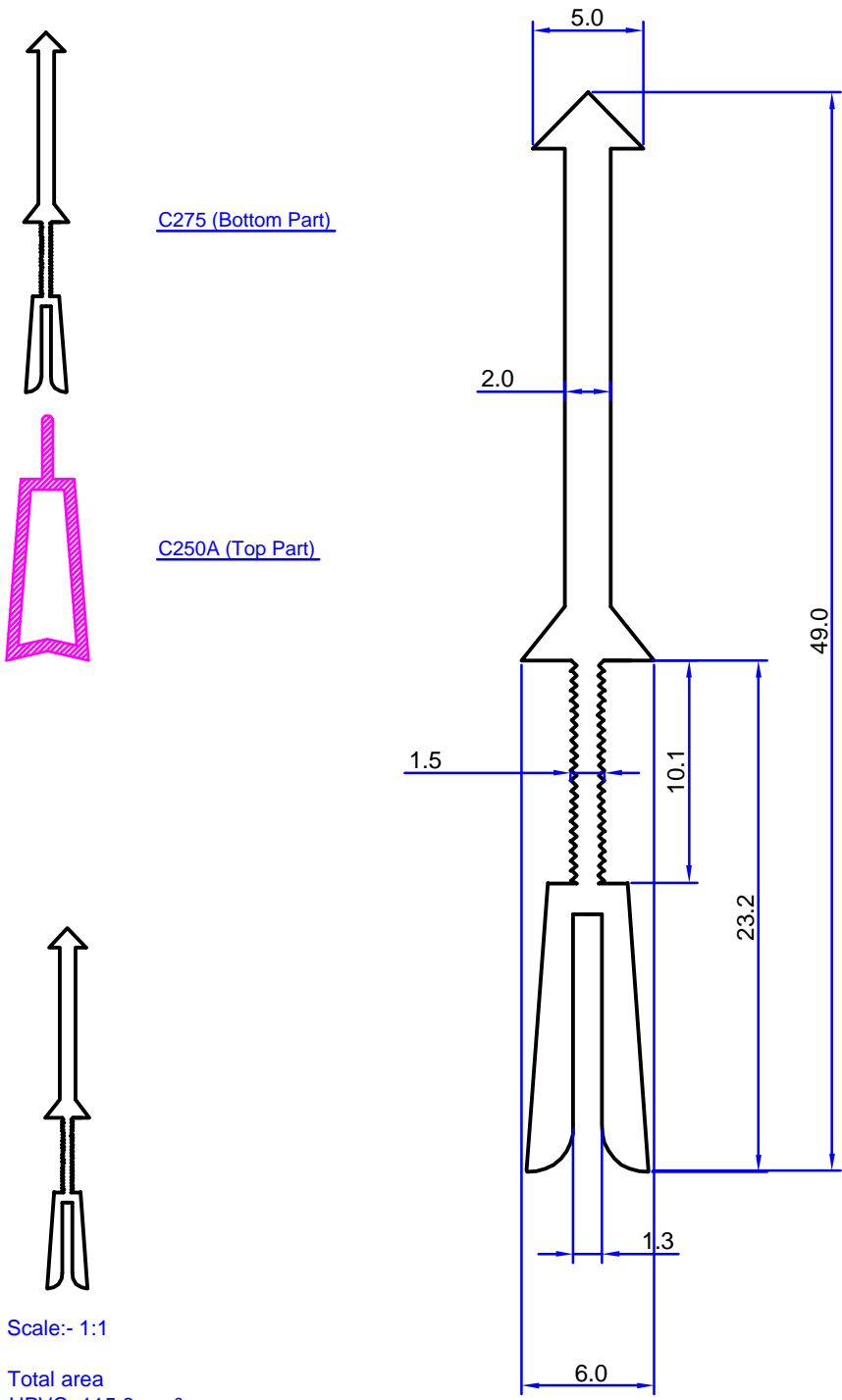
Scale:- 1:1

Total area
UPVC=59.2 mm²



BOTTOM PART CRACK INDUCER	Code No.:C250B
Date:04/06/01	Issue No. : 001 rev. A
Dim: mm	Drawn: S.C.
Scale 5:1, 1:1	Approved:
Tolerance $\pm 0.5\text{mm}$ UNLESS OTHERWISE STATED	Material: rigid UPVC
 =QC Dimensions	

Euroseal Ltd
Units 6, 7, 8 & 11
Tamebridge Industrial Est
Aldridge Road
Perry Barr
Birmingham B42 2TX
tel No 0121 344 4100
fax No 0121 344 4077



C275 (Bottom Part)

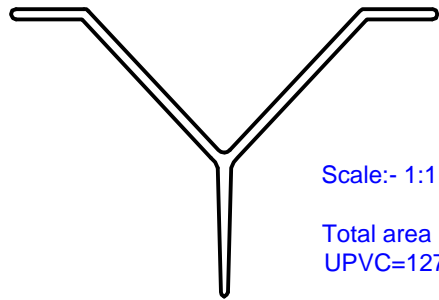
C250A (Top Part)

Scale:- 1:1
 Total area
 UPVC=115.6 mm²



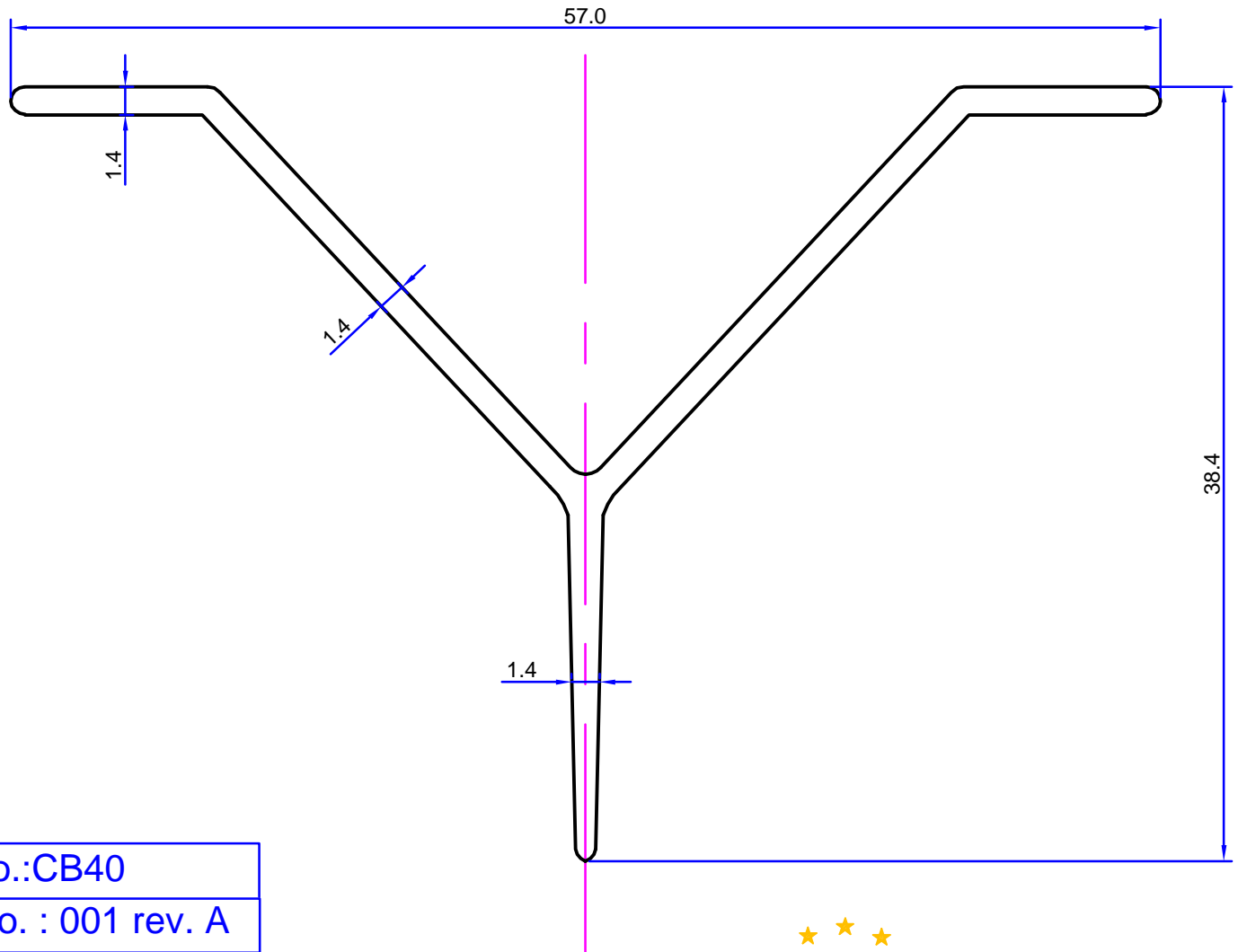
TWO PART CRACK INDUCER	Code No.:C275
Date: 19/06/01	Issue No. : 001 rev. A
Dim: mm	Drawn: S.C.
Scale 3:1, 1:1	Approved:
Tolerance ± 0.5mm <small>UNLESS OTHERWISE STATED</small>	Material: rigid UPVC
 =QC Dimensions	


Euroseal Ltd
 Units 6, 7 & 8
 Tamebridge Industrial Est
 Aldridge Road
 Perry Barr
 Birmingham B42 2TX
 tel No 0121 344 4100
 fax No 0121 344 4077



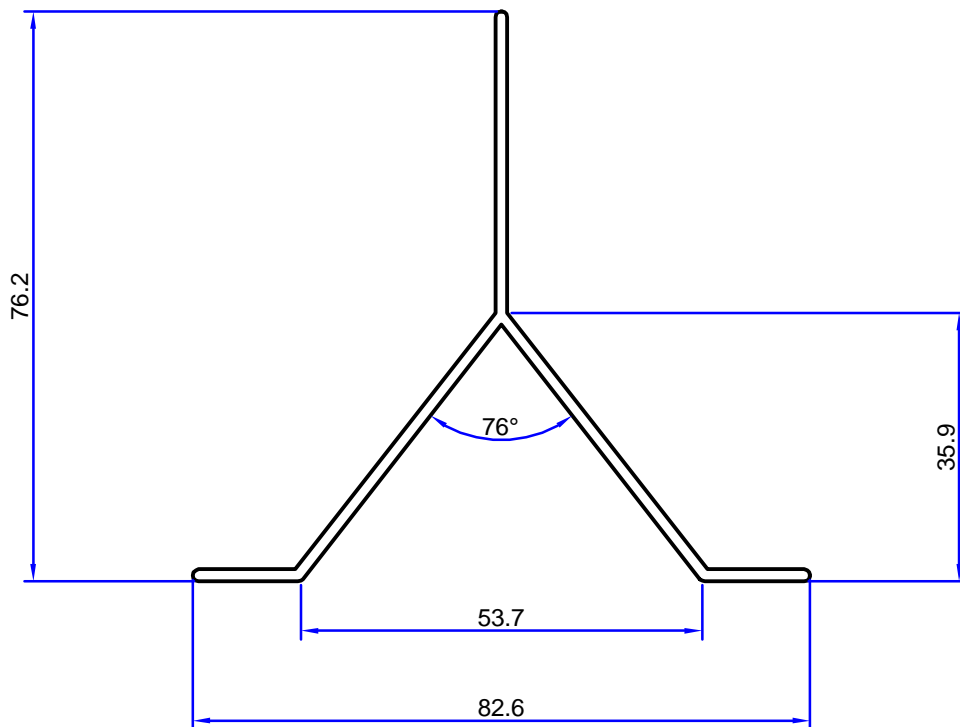
Scale:- 1:1

Total area
UPVC=127 mm²



40mm "Y" Crack Inducer	Code No.:CB40
Date:02/06/01	Issue No. : 001 rev. A
Dim: mm	Drawn: S.C.
Scale 3:1, 1:1	Approved:
Tolerance UNLESS OTHERWISE STATED  =QC Dimensions	Material: Rigid UPVC





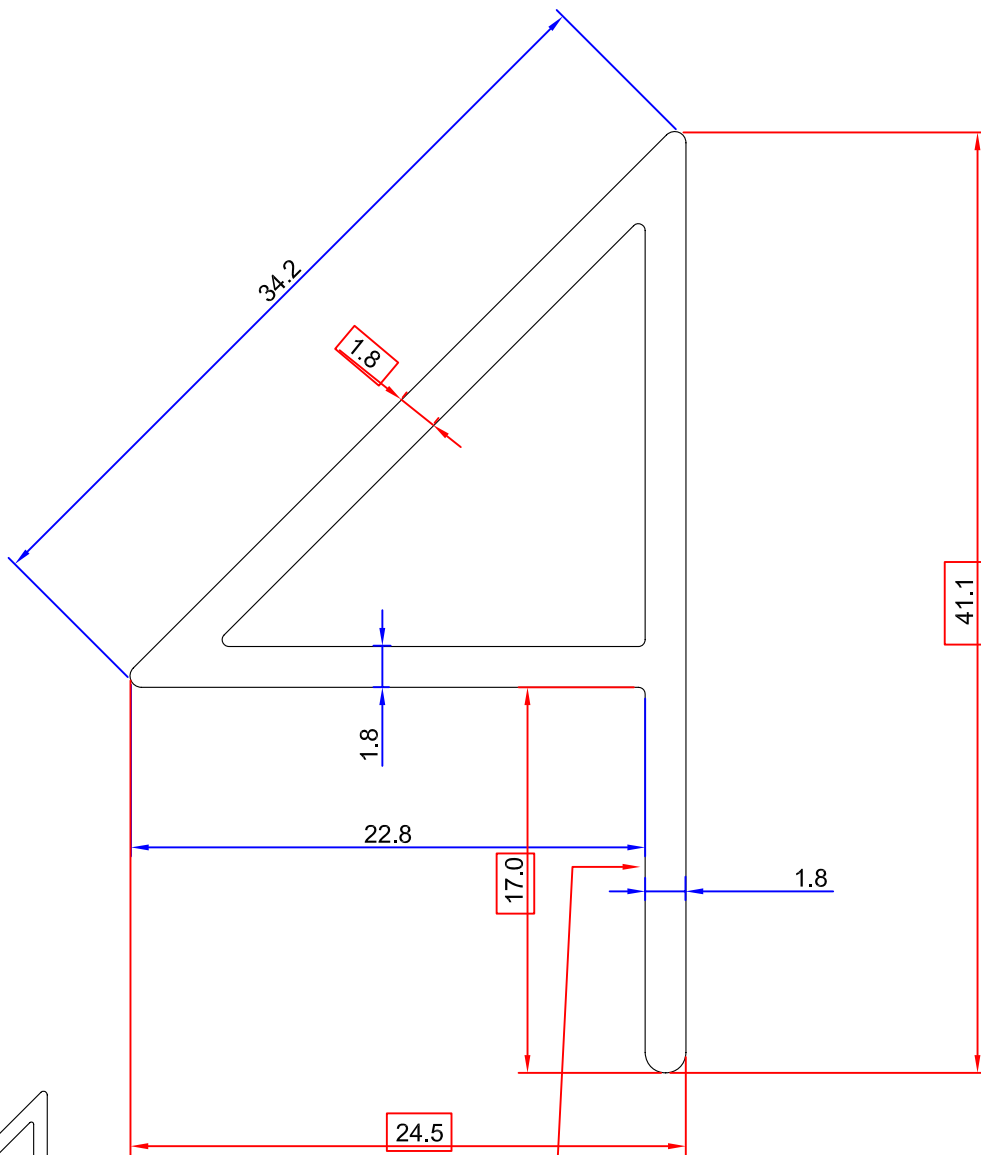
General wall thickness :- 1.6 ± 0.2 mm

Total area
UPVC=249.2 mm²

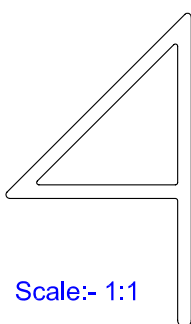


75 mm "Y" Void Former	Code No.:CB75
Date:27/01/05	Job No.:
Dim: mm	Drawn: S.C.
Scale 1:1	Approved:
Tolerance UNLESS OTHERWISE STATED	Material: UPVC

Euroseal Ltd
Units 6, 7, 8 & 11
Tamebridge Industrial Est
Aldridge Road
Perry Barr
Birmingham B42 2TX
tel No 0121 344 4100
fax No 0121 344 4077



this face punched 2mm dia holes at approx 200mm intervals



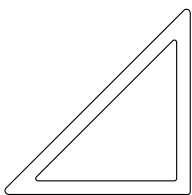
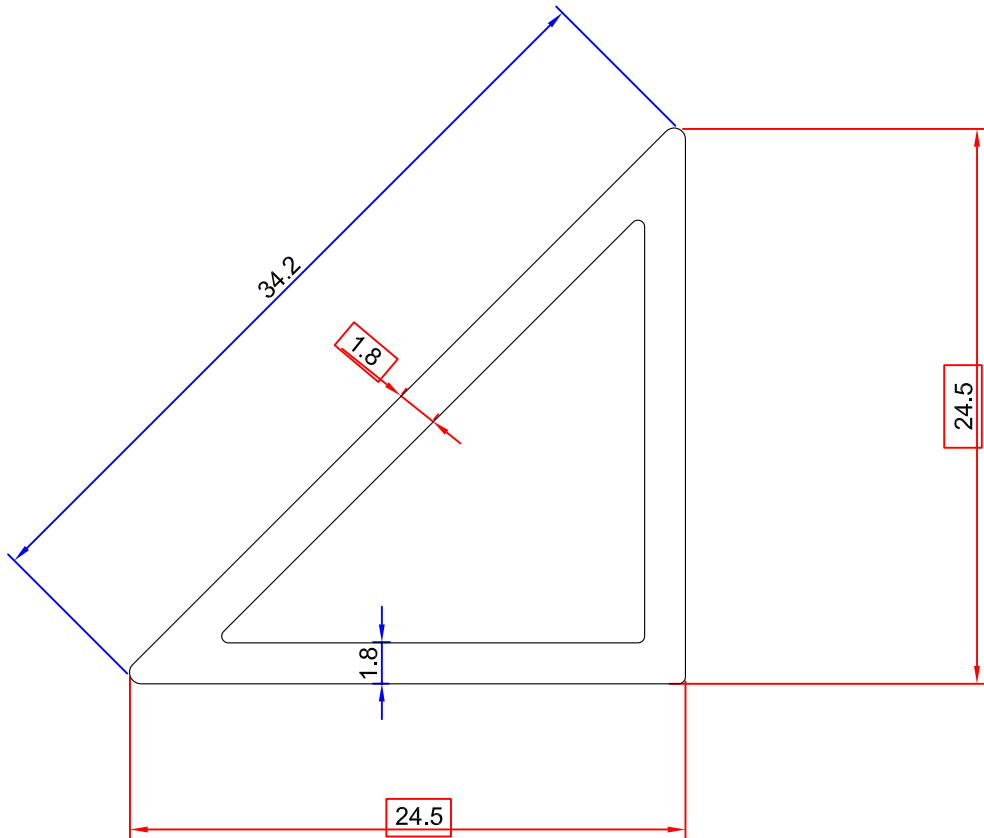
Scale:- 1:1

Total area
UPVC= 166 mm²



25mm Crack Inducer with Flange	Code No.:CFW25
Date:12/09/07	Issue No. : 001 rev. A
Dim: mm	Drawn: S.C.
Scale 3:1, 1:1	Approved:
Tolerance ± 0.5 mm UNLESS OTHERWISE STATED	Material: UPVC
 =QC Dimensions	


Euroseal Ltd
Units 6, 7 & 8
Tamebridge Industrial Est
Aldridge Road
Perry Barr
Birmingham B42 2TX
tel No 0121 344 4100
fax No 0121 344 4077



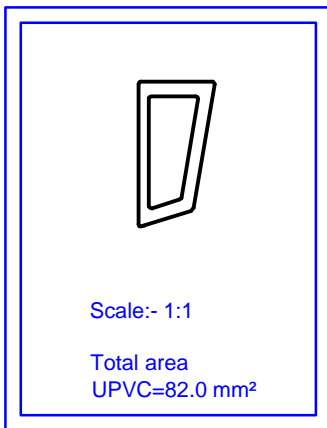
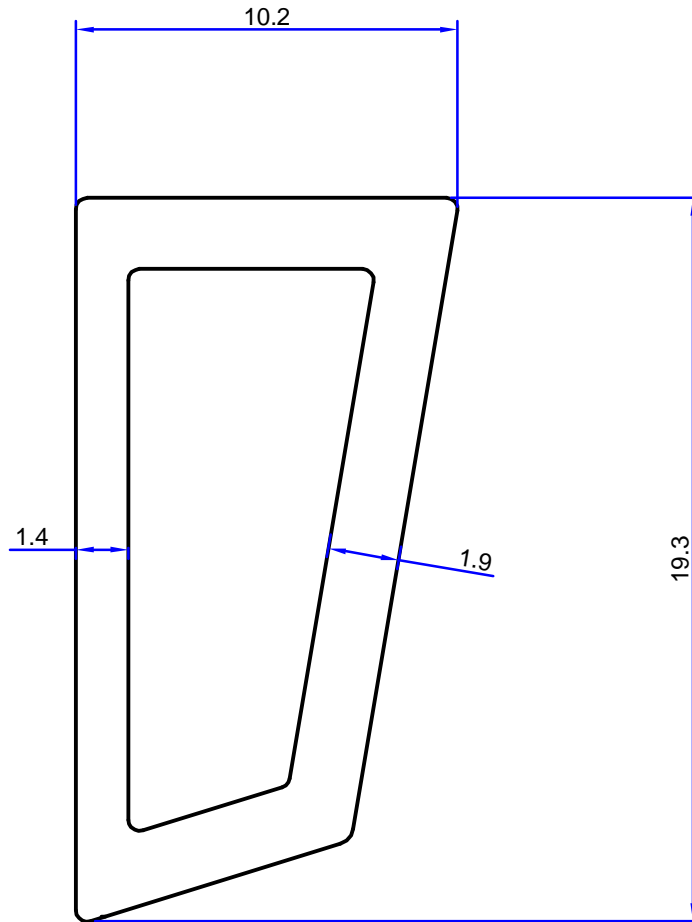
Scale:- 1:1


Total area
UPVC= 135.7 mm²



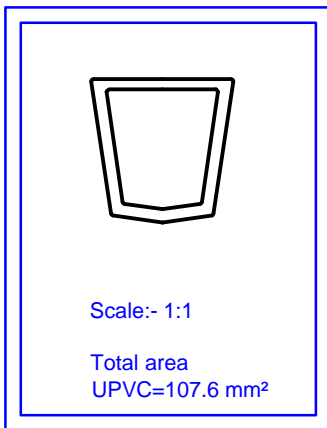
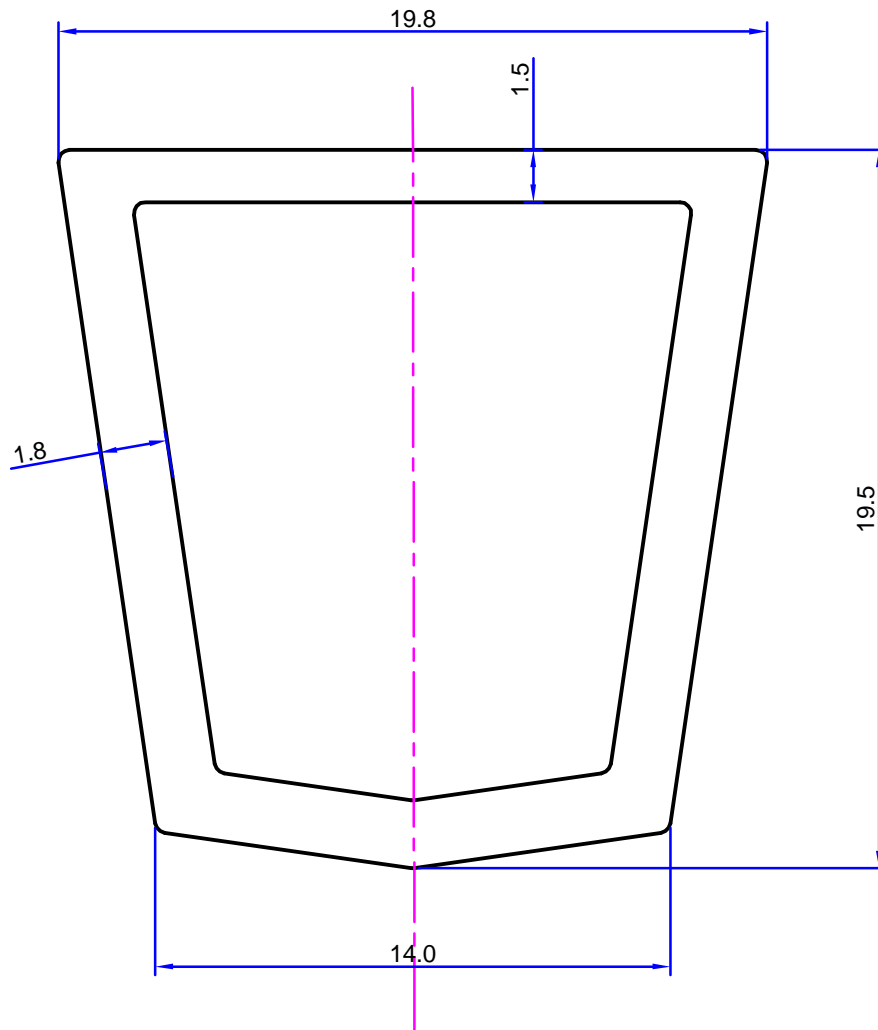
25mm Crack Inducer without Flange	Code No.:CW25
Date:15/12/08	Issue No. : 001 rev. A
Dim: mm	Drawn: S.C.
Scale 3:1, 1:1	Approved:
Tolerance ± 0.5 mm UNLESS OTHERWISE STATED  =QC Dimensions	Material: UPVC


Euroseal Ltd
Units 6, 7 & 8
Tamebridge Industrial Est
Aldridge Road
Perry Barr
Birmingham B42 2TX
tel No 0121 344 4100
fax No 0121 344 4077



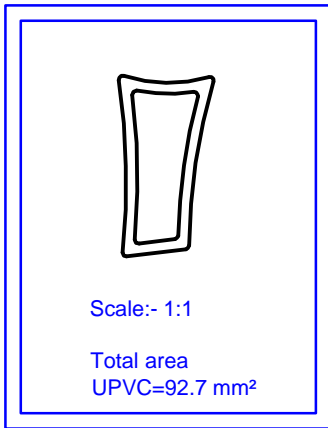
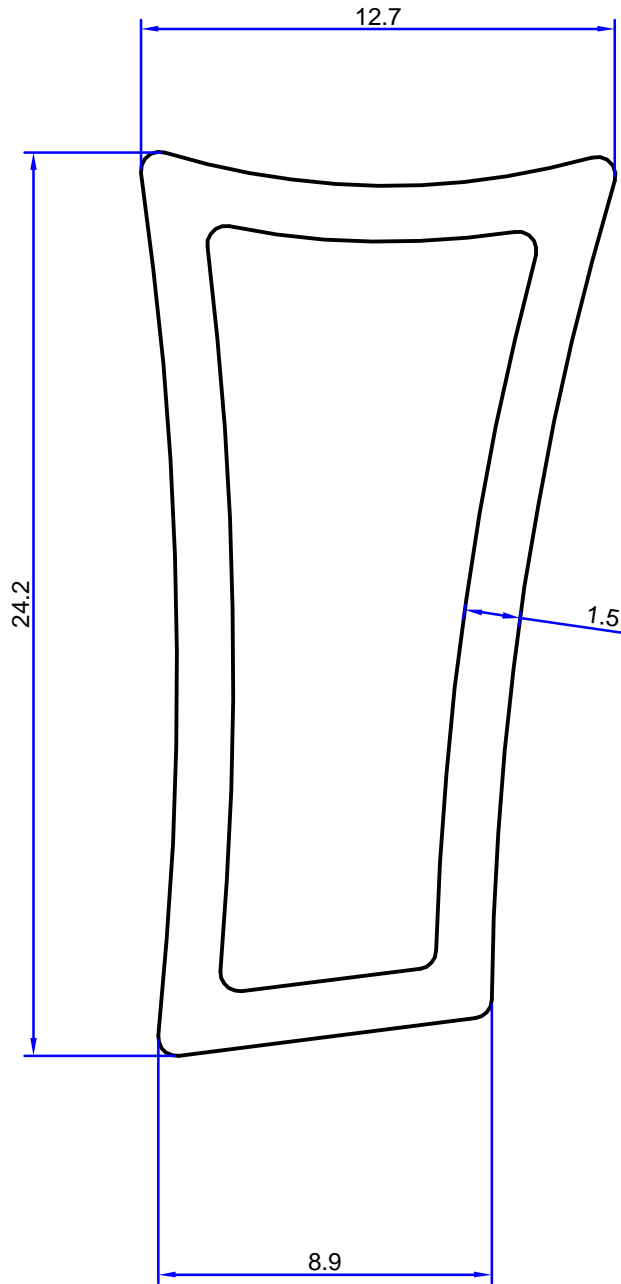
20mm HALF VOID FORMER	Code No.:VF201
Date:22/06/01	Issue No. : 001 rev. A
Dim: mm	Drawn: S.C.
Scale 5:1, 1:1	Approved:
Tolerance $\pm 0.5\text{mm}$ UNLESS OTHERWISE STATED  =QC Dimensions	Material: rigid UPVC


Euroseal Ltd
Units 6, 7, 8 & 11
Tamebridge Industrial Est
Aldridge Road
Perry Barr
Birmingham B42 2TX
tel No 0121 344 4100
fax No 0121 344 4077



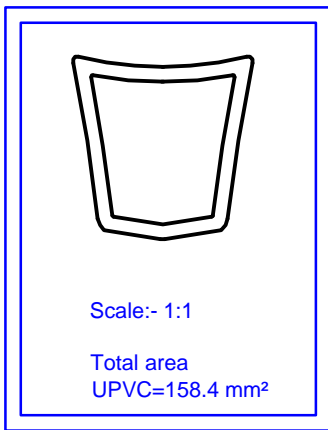
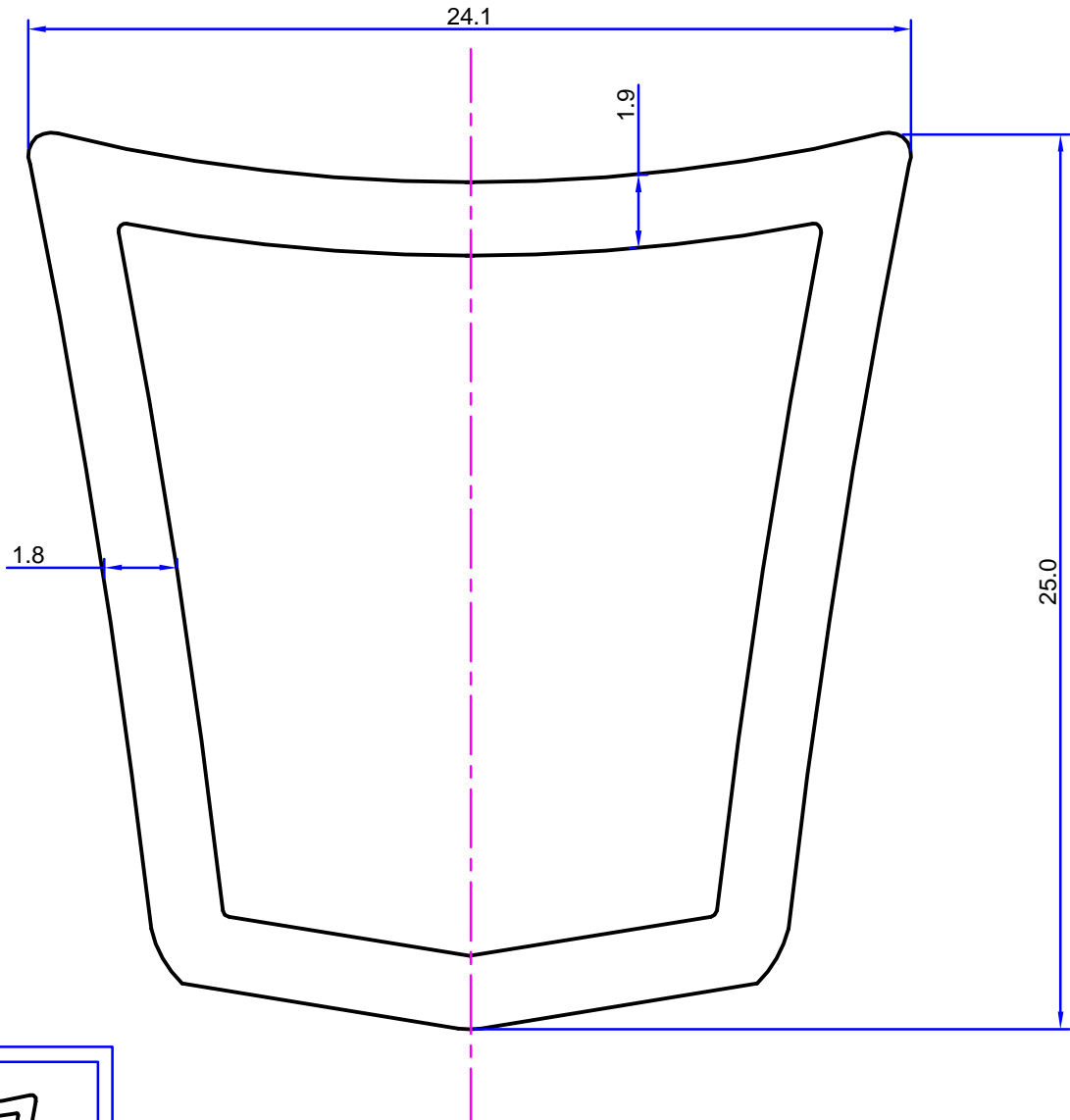
20mm FULL VOID FORMER	Code No.:VF202
Date:19/01/04	Issue No. : 001 rev. A
Dim: mm	Drawn: S.C.
Scale 5:1, 1:1	Approved:
Tolerance ± 0.5 mm UNLESS OTHERWISE STATED  =QC Dimensions	Material: rigid UPVC

Euroseal Ltd
Units 6, 7 & 8
Tamebridge Industrial Est
Aldridge Road
Perry Barr
Birmingham B42 2TX
tel No 0121 344 4100
fax No 0121 344 4077




25mm HALF VOID FORMER	Code No.:VF251
Date:22/06/01	Issue No. : 001 rev. A
Dim: mm	Drawn: S.C.
Scale 5:1, 1:1	Approved:
Tolerance $\pm 0.5\text{mm}$ UNLESS OTHERWISE STATED  =QC Dimensions	Material: rigid UPVC

Euroseal Ltd
Units 6, 7, 8 & 11
Tamebridge Industrial Est
Aldridge Road
Perry Barr
Birmingham B42 2TX
tel No 0121 344 4100
fax No 0121 344 4077



DRAWING OF 1st OFF 14/05/01



25mm FULL VOID FORMER	Code No.:VF252
Date:04/06/01	Issue No. : 001 rev. A
Dim: mm	Drawn: S.C.
Scale 5:1, 1:1	Approved:
Tolerance $\pm 0.5\text{mm}$ UNLESS OTHERWISE STATED  =QC Dimensions	Material: rigid UPVC

Euroseal Ltd
 Units 6, 7 & 8
 Tamebridge Industrial Est
 Aldridge Road
 Perry Barr
 Birmingham B42 2TX
 tel No 0121 344 4100
 fax No 0121 344 4077