



**Crack Inducers, Void  
Formers, Tubes &  
Water bars**

**July 2010**

EUROSEAL LTD  
6, 7 & 8 TAMEBRIDGE  
INDUSTRIAL ESTATE  
ALDRIDGE ROAD  
PERRY BARR  
BIRMINGHAM  
B42 2TX  
TEL:0121 344 4100  
FAX: 0121 344 4077  
E-MAIL:sales@euroseal.co.uk  
WEB:www.euroseal.co.uk

<p><b><u>C250A</u></b> - Top part 50mm &amp; 75mm TOP crack inducers. Recycled rigid material. Scale 1:1</p>	<p><b><u>C250B</u></b> - Bottom part 50mm TOP crack inducer. Recycled rigid material. Scale 1:1</p>	<p><b><u>C275</u></b> - Bottom part 75mm TOP crack inducer. Recycled rigid material. Scale 1:1</p>

<p><b><u>CWF25</u></b> - Chamfer with flange (punched). Recycled rigid material. Scale 1:1</p>	<p><b><u>CW25</u></b> - Standard chamfer. Recycled rigid material. Scale 1:1</p>




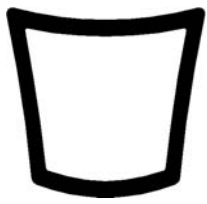
<p><b><u>JT26</u></b> - 26mm OD 22mm ID Tube. Recycled rigid material. Scale 1:1</p>	<p><b><u>JT30</u></b> - 30mm OD 26mm ID Tube. Recycled rigid material. Scale 1:1</p>

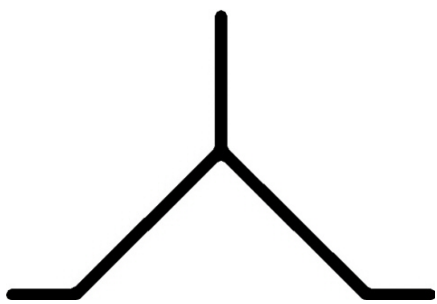
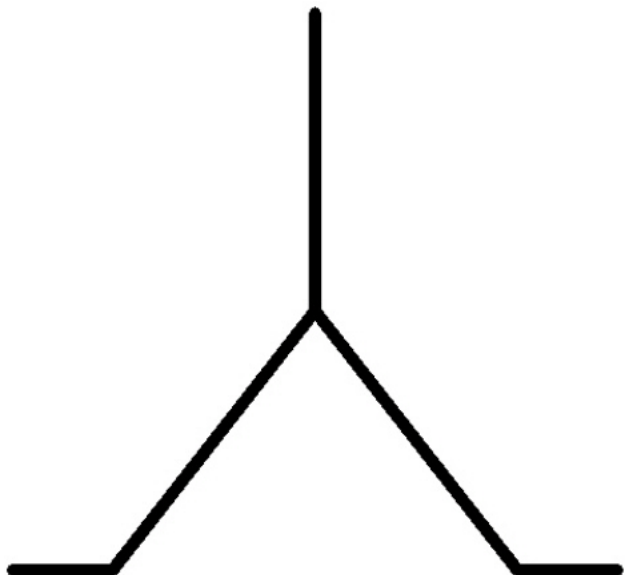



**Crack Inducers, Void  
Formers & Waterbars**

**July 2010**

**EUROSEAL LTD**  
**6,7,8 & 11 TAMEBRIDGE**  
**INDUSTRIAL ESTATE**  
**ALDRIDGE ROAD**  
**PERRY BARR**  
**BIRMINGHAM**  
**B42 2TX**  
**TEL:0121 344 4100**  
**FAX: 0121 344 4077**  
**E-MAIL:sales@euroseal.co.uk**  
**WEB:www.euroseal.co.uk**

			
<b><u>VF201</u> - 20mm half void former. Recycled rigid material. Scale 1:1</b>	<b><u>VF202</u> - 20mm full void former. Recycled rigid material. Scale 1:1</b>	<b><u>VF251</u> - 25mm half void former. Recycled rigid material. Scale 1:1</b>	<b><u>VF252</u> - 25mm full void former. Recycled rigid material. Scale 1:1</b>

	
<b><u>CB40</u> - 40mm BASE 'Y' crack inducer. Recycled rigid material. Scale 1:1</b>	<b><u>CB75</u> - 75mm BASE 'Y' crack inducer. Recycled rigid material. Scale 1:1</b>


<b><u>WB150</u> - Water bar. Flexible PVC. Scale 1:1</b>