




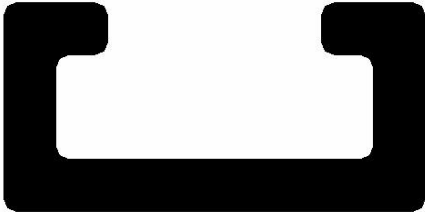




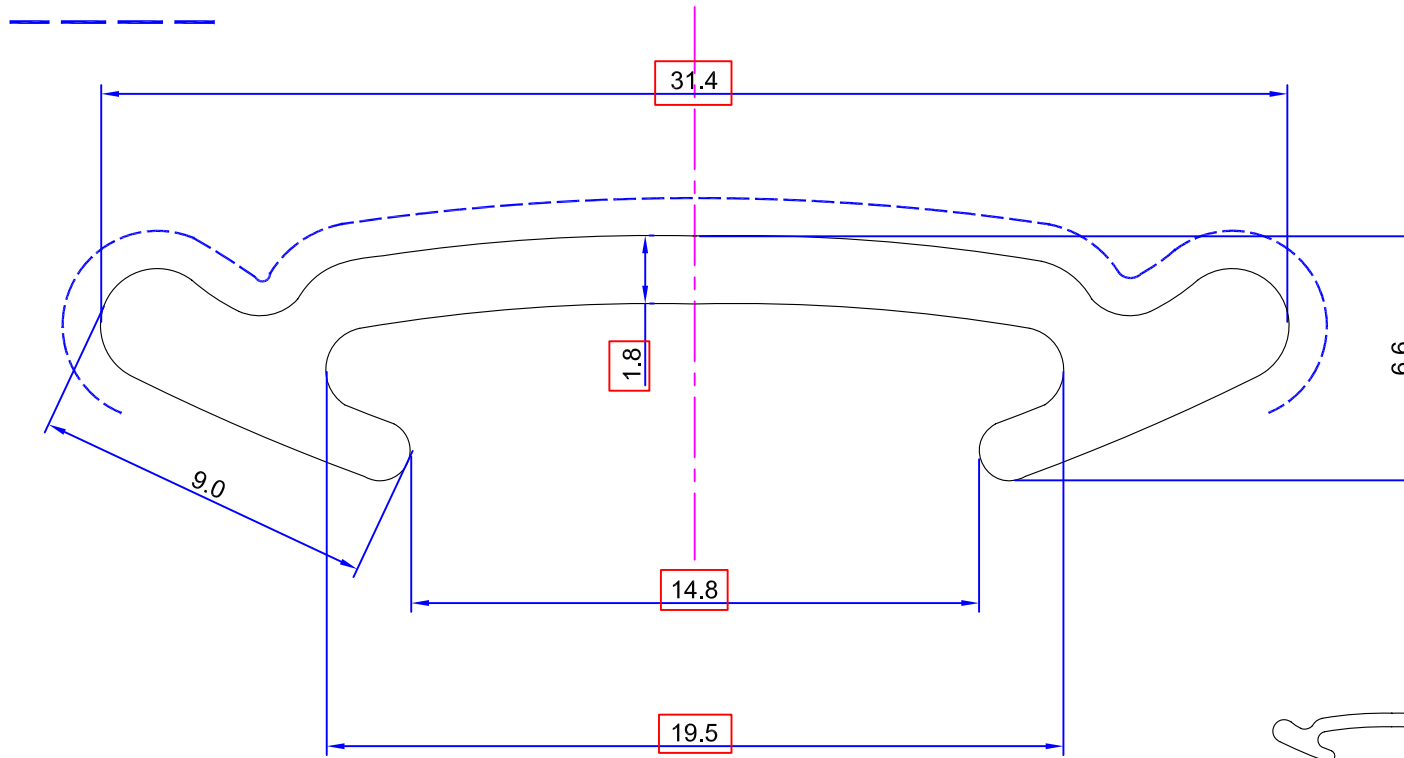
Curtain Tracks

January 2009

EUROSEAL LTD
6,7,8 & 11 TAMEBRIDGE
INDUSTRIAL ESTATE
ALDRIDGE ROAD
PERRY BARR
BIRMINGHAM
B42 2TX
TEL:0121 344 4100
FAX: 0121 344 4077
E-MAIL:sales@euroseal.co.uk
WEB:www.euroseal.co.uk

	Product Code
	AAJET CURTAIN TRACK
	AAVAL VALANCE TRACK
	RCT100 CURTAIN TRACK
	RCT200 VALANCE TRACK
	RCT300 CURTAIN TRACK
	RM900 SASH TRACK
Please see below for detailed drawings of the above products	

Visual Face



Tolerance on cut length = $+3 \text{ mm} / -0 \text{ mm}$

Scale:- 1:1

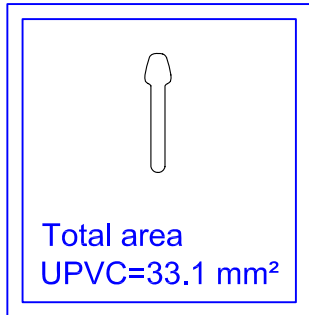
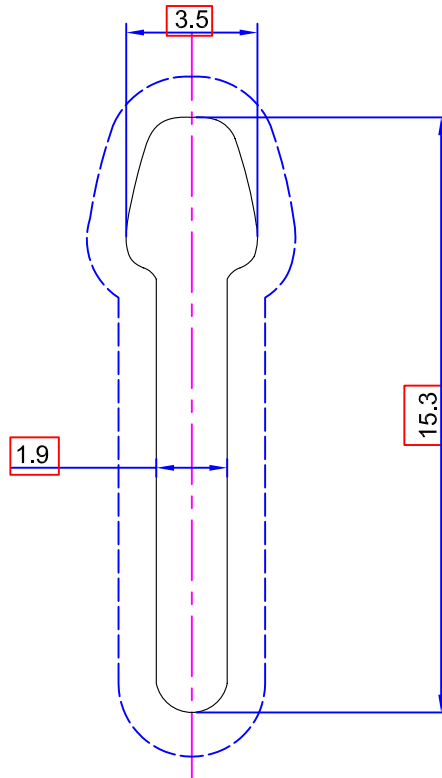
Total area
UPVC=80.0 mm²

CURTAIN TRACK	Code No.: AAJET
Date: 09/04/03	Issue No. : 001 rev. B
Dim: mm	Drawn: S.C.
Scale 5:1, 1:1	Approved:
Tolerance $\pm 0.5\text{mm}$ UNLESS OTHERWISE STATED	Material: Rigid UPVC
 =QC Dimensions	

Euroseal Ltd
Units 6, 7 & 8
Tamebridge Industrial Est
Aldridge Road
Perry Barr
Birmingham B42 2TX
tel No 0121 344 4100
fax No 0121 344 4077



Visual Face -----

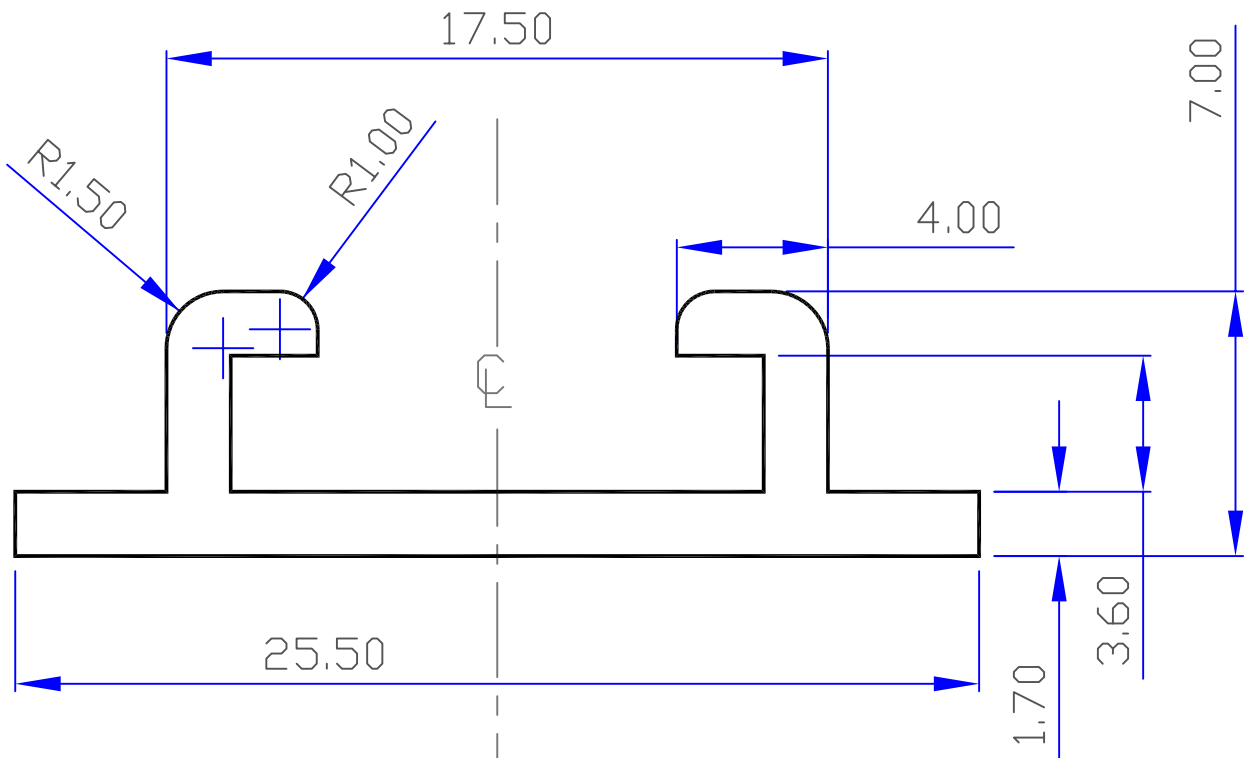


Tolerance on cut length = $+3 \text{ mm} / -0 \text{ mm}$

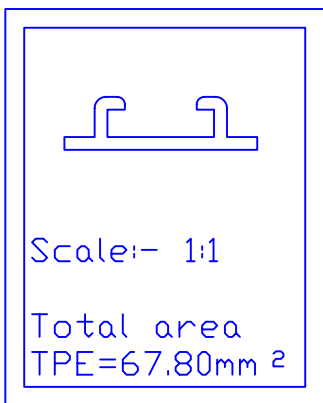


CURTAIN VALANCE	Code No.:AAVAL
Date:09/04/03	Issue No. : 001 rev. B
Dim: mm	Drawn: S.C.
Scale 5:1, 1:1	Approved:
Tolerance $\pm 0.5\text{mm}$ UNLESS OTHERWISE STATED =QC Dimensions	Material: rigid UPVC

Euroseal Ltd
Units 6, 7 & 8
Tamebridge Industrial Est
Aldridge Road
Perry Barr
Birmingham B42 2TX
tel No 0121 344 4100
fax No 0121 344 4077

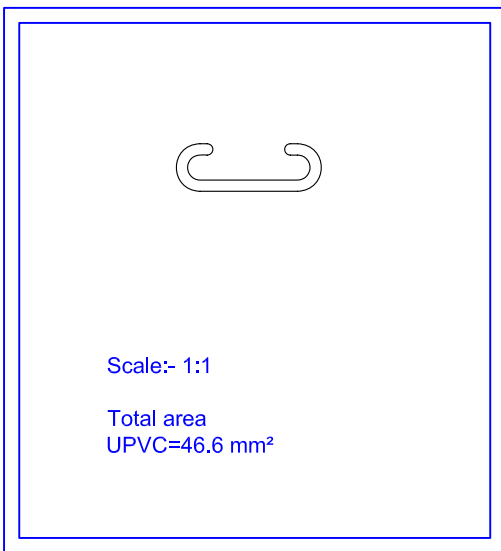
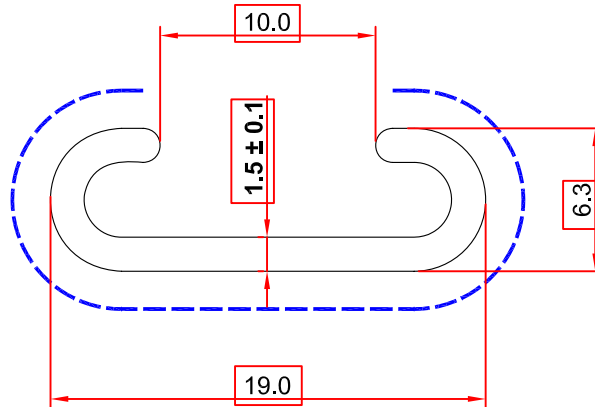


Profile Symmetrical
About Centre Line



DATE 23.12.99

Profile: 25.5mm Track	CODE No: RCT 100	Euroseal Ltd Units 7,8&10 Tamebridge Industrial Est Aldridge Road Perry Barr BIRMINGHAM B42 2TX Tel No 0121 344 4100 fax. No 0121 344 4077
DIM mm	DRAWN S.P.M	
SCALE 5:1 , 1:1	APPVD	
TOLERANCE UNLESS OTHERWISE STATED	MATERIAL: Rigid PVC	



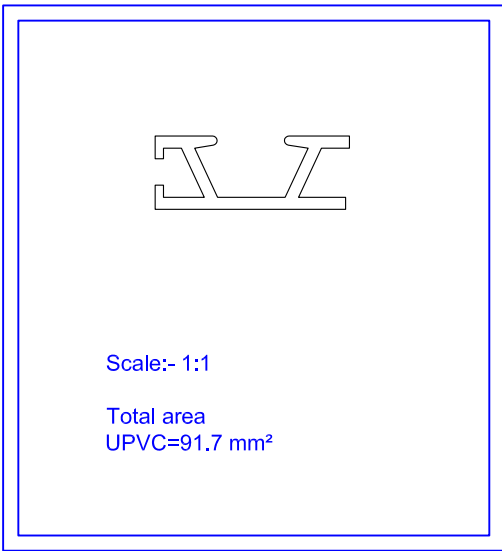
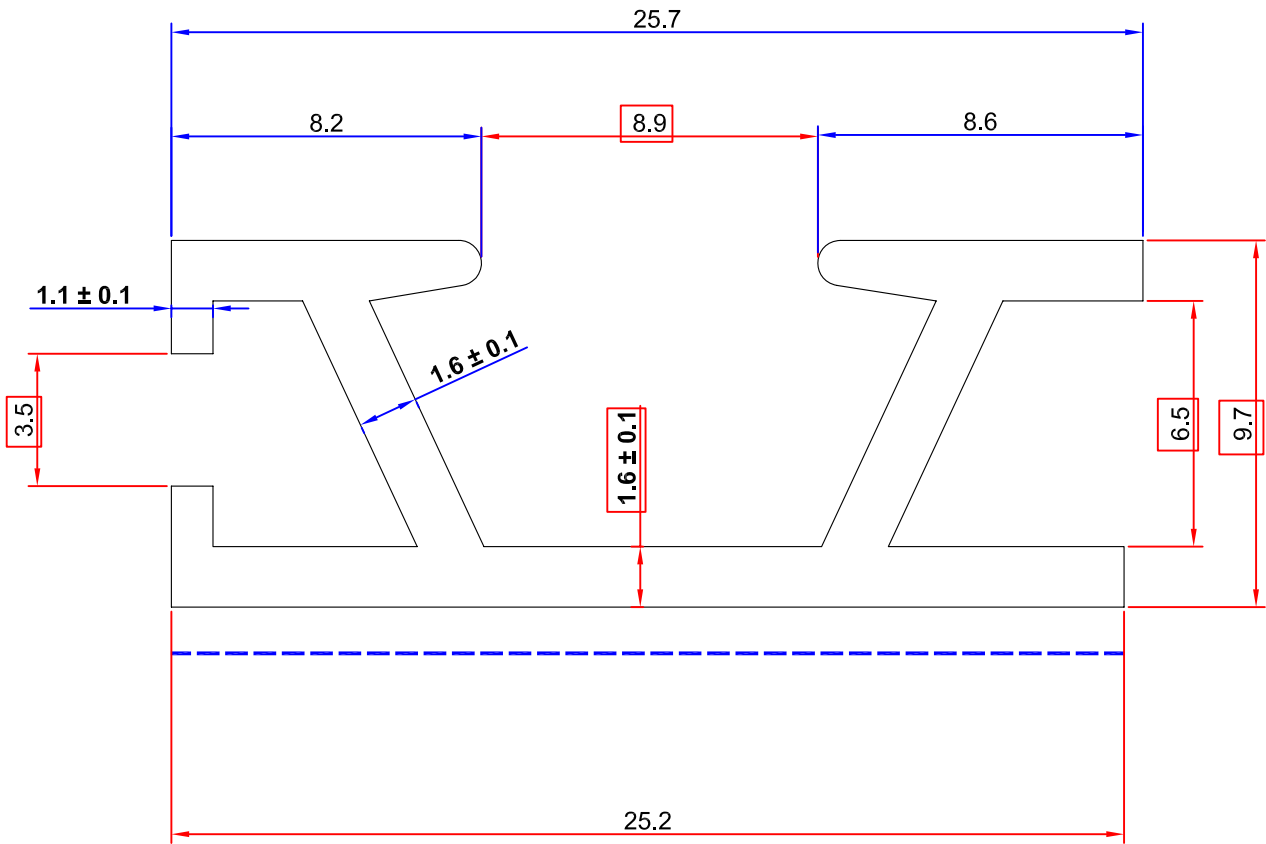
Visual Face -----



Tolerance on cut length = +10 mm / -0 mm

VALANCE TRACK	Code No.:RCT200
Date:21/05/01	Issue No. : 001 rev. A
Dim: mm	Drawn: S.C.
Scale 3:1, 1:1	Approved:
Tolerance ± 0.5mm UNLESS OTHERWISE STATED =QC Dimensions	Material: rigid UPVC

Euroseal Ltd
Units 6, 7 & 8
Tamebridge Industrial Est
Aldridge Road
Perry Barr
Birmingham B42 2TX
tel No 0121 344 4100
fax No 0121 344 4077



Visual Face -----

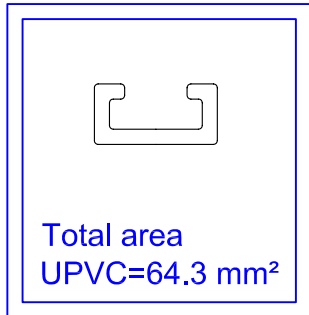
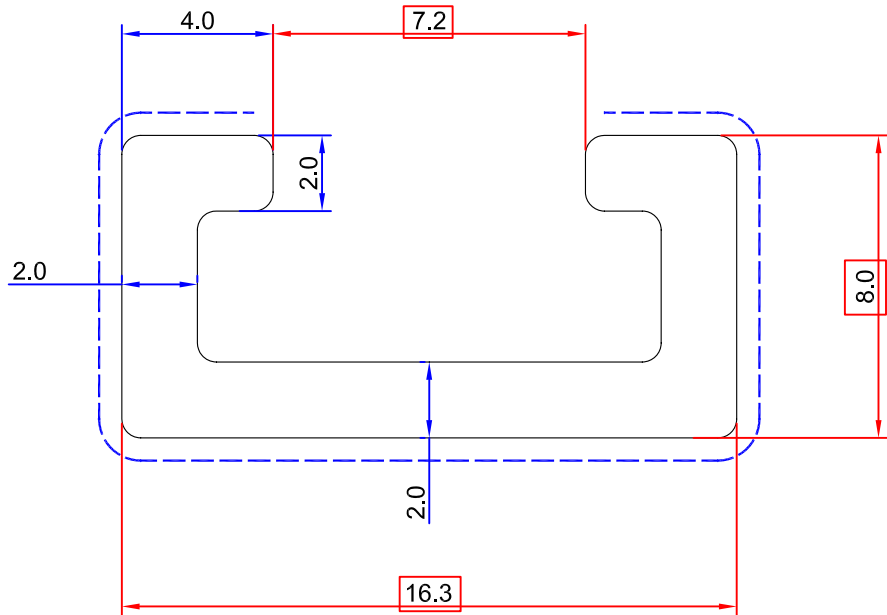
Tolerance on cut length = +10 mm / -0 mm



CURTAIN TRACK	Code No.:RCT300
Date:21/05/01	Issue No. : 001 rev. A
Dim: mm	Drawn: S.C.
Scale 5:1, 1:1	Approved:
Tolerance ± 0.5mm UNLESS OTHERWISE STATED	Material: rigid UPVC
 =QC Dimensions	

Euroseal Ltd
Units 6, 7 & 8
Tamebridge Industrial Est
Aldridge Road
Perry Barr
Birmingham B42 2TX
tel No 0121 344 4100
fax No 0121 344 4077

Visual Face -----



Tolerance on cut length = +0 mm / -2 mm



Sash Track	Code No.:RM900
Date:21/10/02	Issue No. : 001 rev. A
Dim: mm	Drawn: S.C.
Scale 5:1, 1:1	Approved:
Tolerance ± 0.5mm <small>UNLESS OTHERWISE STATED</small>	Material: rigid UPVC

=QC Dimensions

Euroseal Ltd
Units 6, 7 & 8
Tamebridge Industrial Est
Aldridge Road
Perry Barr
Birmingham B42 2TX
tel No 0121 344 4100
fax No 0121 344 4077