	<p><u>END-CLOSURES</u></p> <p>SEPTEMBER 2005</p>	<p>EUROSEAL LTD UNITS 6,7, 8 &amp; 11 TAMEBRIDGE INDUSTRIAL ESTATE ALDRIDGE ROAD PERRY BARR BIRMINGHAM B42 2TX TEL:0121 344 4100 FAX: 0121 344 4077 E-MAIL:sales@euroseal.co.uk WEB:www.euroseal.co.uk</p>
--	--	--

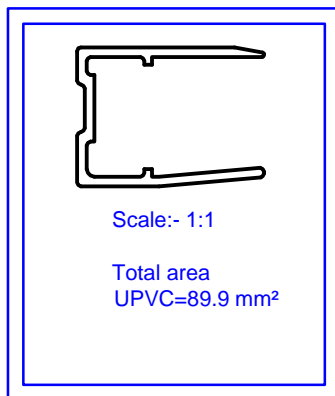
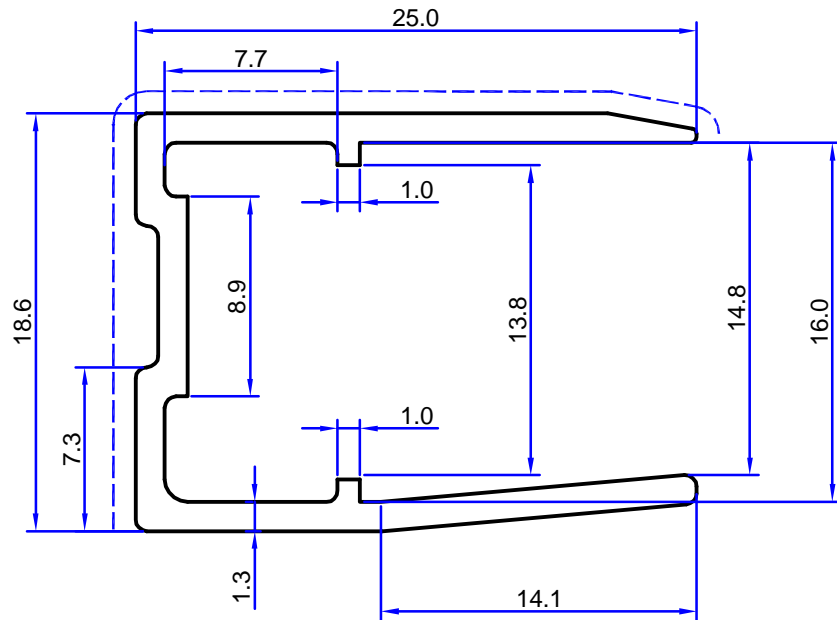
Euroseal end-closures are made from 100 % virgin material. All are available in white, brown, caramel and a range of foiled options.

**Contents:**

Section 1.	RGS10 – 10mm end-closure
Section 2.	RGS16 – 16mm end-closure
Section 3.	RGS25 – 25mm end-closure



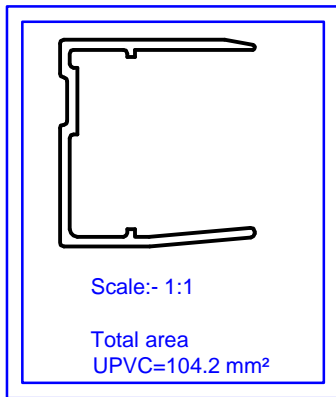
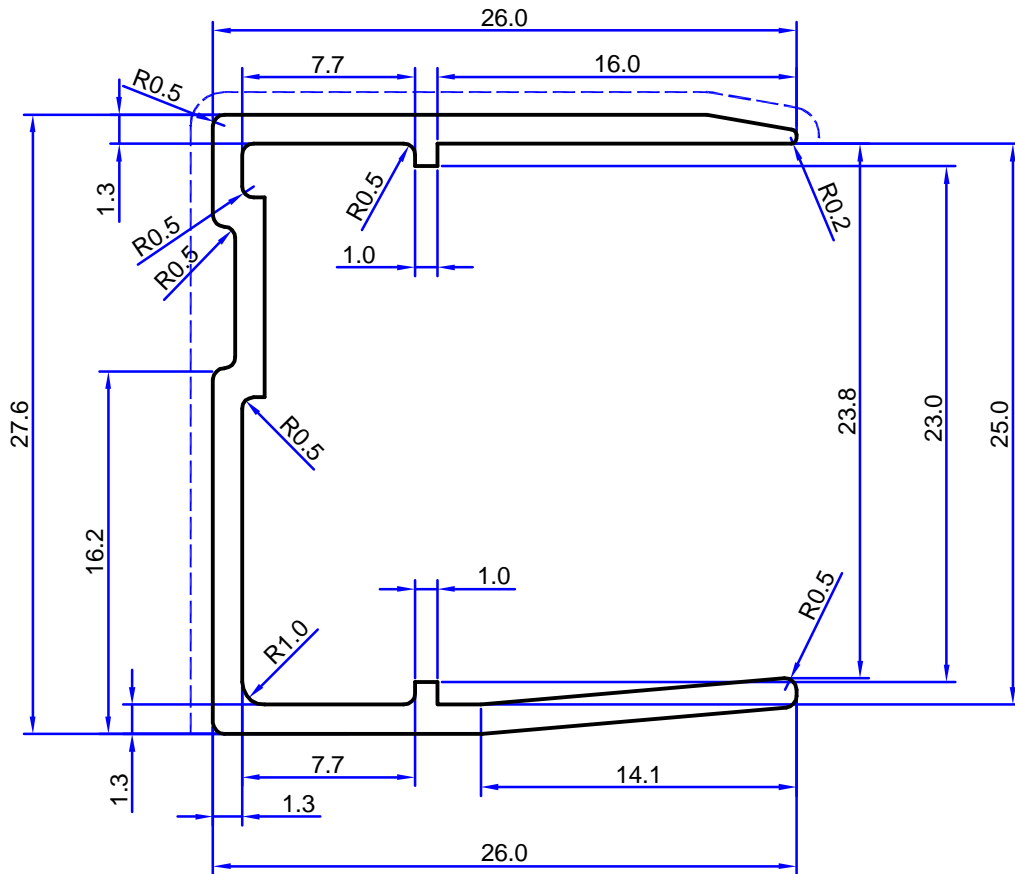
Visual Face -----



16 mm End Closure	Code No.:RGS16
Date:05/09/01	Job No.:
Dim: mm	Drawn: S.C.
Scale 3:1, 1:1	Approved:
Tolerance $\pm 0.5$ mm UNLESS OTHERWISE STATED	Material: rigid UPVC

Euroseal Ltd  
Units 6, 7, 8 & 11  
Tamebridge Industrial Est  
Aldridge Road  
Perry Barr  
Birmingham B42 2TX  
tel No 0121 344 4100  
fax No 0121 344 4077

Visual Face



25 mm End Closure	Code No.:RGS25
Date:05/09/01	Job No.:
Dim: mm	Drawn: S.C.
Scale 3:1, 1:1	Approved:
Tolerance $\pm 0.5\text{mm}$ UNLESS OTHERWISE STATED	Material: rigid UPVC

Euroseal Ltd  
 Units 6, 7, 8 & 11  
 Tamebridge Industrial Est  
 Aldridge Road  
 Perry Barr  
 Birmingham B42 2TX  
 tel No 0121 344 4100  
 fax No 0121 344 4077