

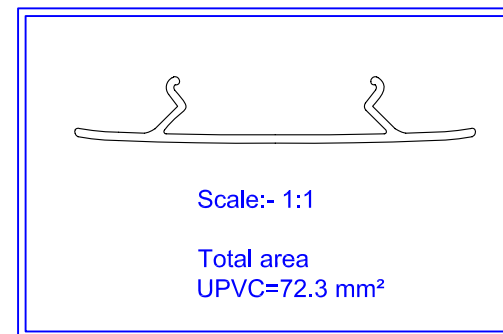
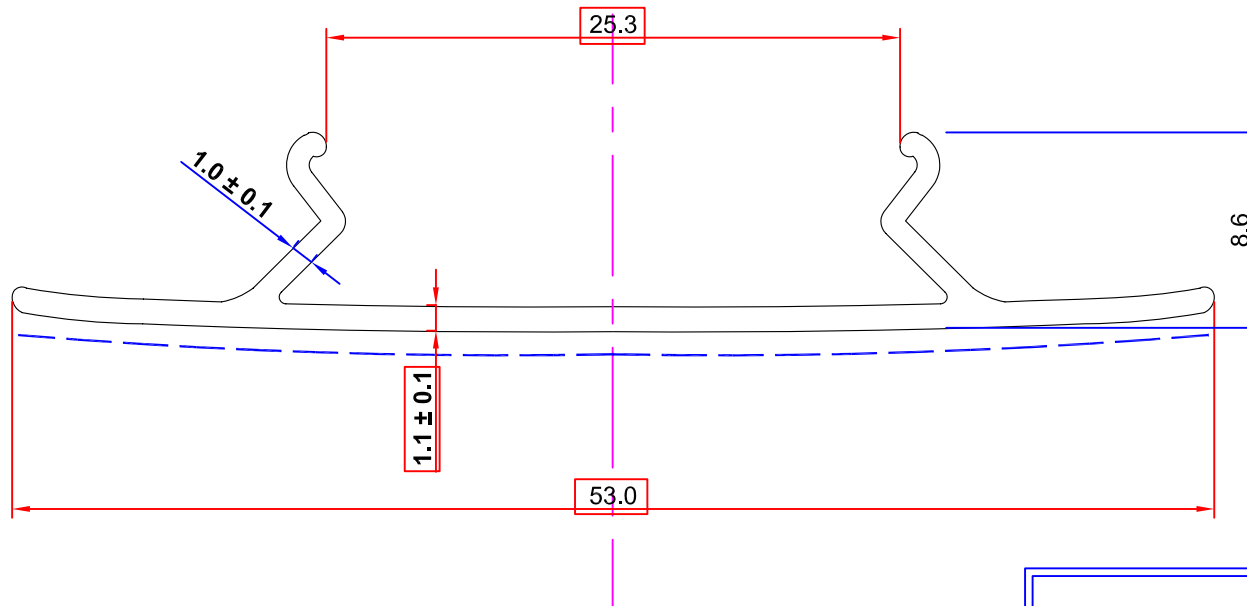


Extrusions
For the
Electrical Industry

January 2009

EUROSEAL LTD
6,7,8 & 11 TAMEBRIDGE
INDUSTRIAL ESTATE
ALDRIDGE ROAD
PERRY BARR
BIRMINGHAM
B42 2TX
TEL:0121 344 4100
FAX: 0121 344 4077
E-MAIL:sales@euroseal.co.uk
WEB:www.euroseal.co.uk

	Product Code
	LARGE CAPPING LT4
	CAPPING LT30
	POWER TRACK PT58
	ELECTRICAL CONDUIT RE100
	TRUNKING COVER RE200
	CABLE TRUNKING RS300
	CAPPING RUT100
	CAPPING STRUT100
	TRUNKING COVER VL2202P
<p>Please see below for detailed drawings of the above products</p>	



Visual Face - - - - -

Tolerance on cut length = +10 mm / -0 mm

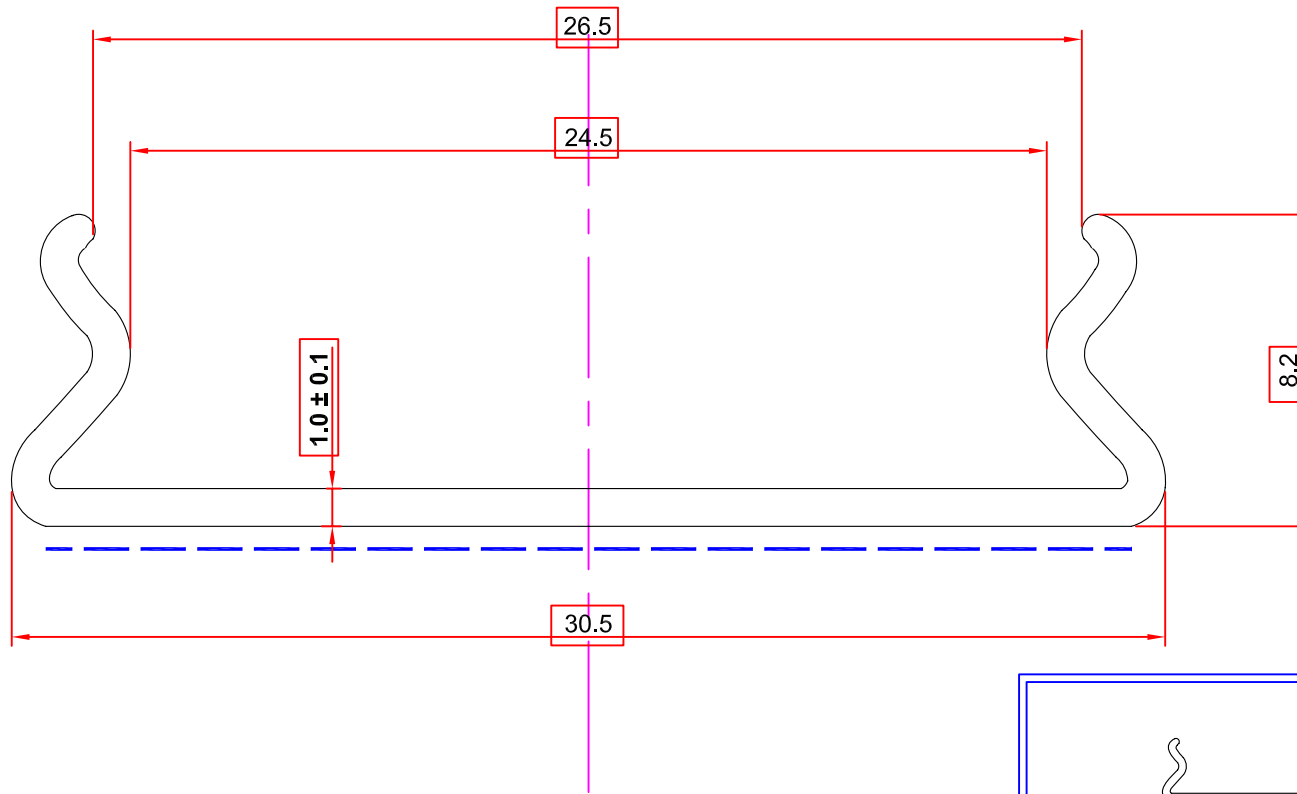
WHITE CAPPING	Code No.: LT4
Date:24/06/01	Issue No. : 001 rev. A
Dim: mm	Drawn: S.C.
Scale 3:1, 1:1	Approved:
Tolerance ±0.5mm <small>UNLESS OTHERWISE STATED</small>	Material: Rigid UPVC

 =QC Dimensions

Euroseal Ltd
Units 6, 7 & 8
Tamebridge Industrial Est
Aldridge Road
Perry Barr
Birmingham B42 2TX
tel No 0121 344 4100
fax No 0121 344 4077



Visual Face



Scale:- 1:1
Total area
UPVC=46.0 mm²

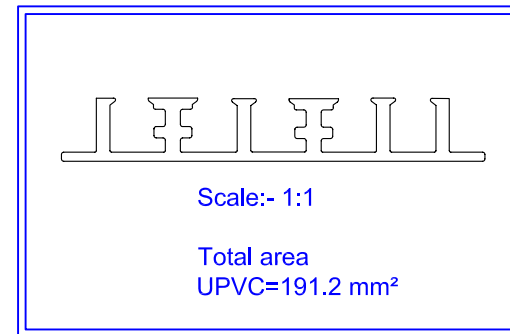
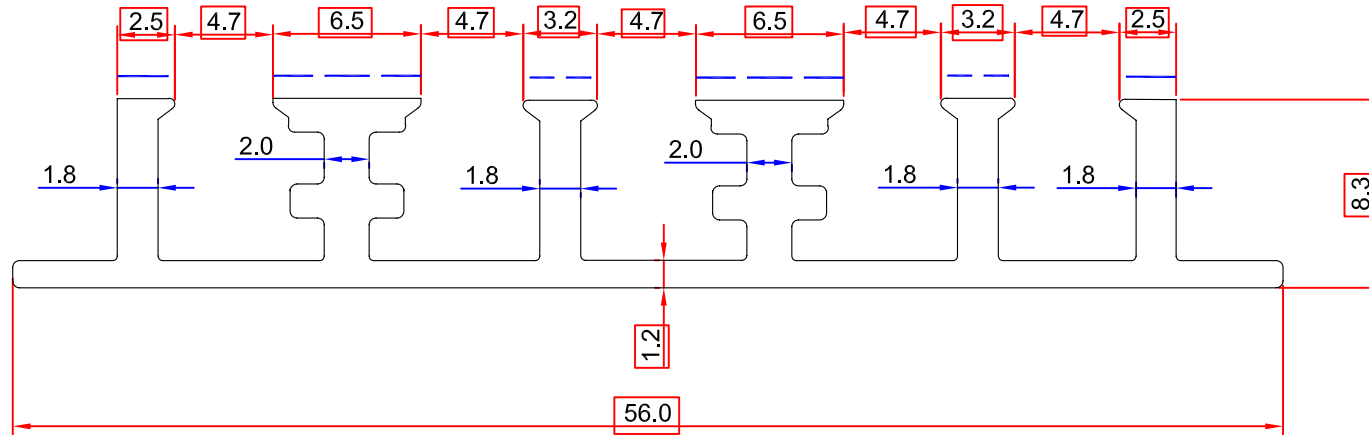
Tolerance on cut length = $+10 \text{ mm} / -0 \text{ mm}$

WHITE CAPPING	Code No.: LT30
Date:01/08/01	Issue No. : 001 rev. A
Dim: mm	Drawn: S.C.
Scale 5:1, 1:1	Approved:
Tolerance $\pm 0.5 \text{ mm}$ UNLESS OTHERWISE STATED	Material: Rigid UPVC
=QC Dimensions	

Euroseal Ltd
Units 6, 7 & 8
Tamebridge Industrial Est
Aldridge Road
Perry Barr
Birmingham B42 2TX
tel No 0121 344 4100
fax No 0121 344 4077



Visual Face

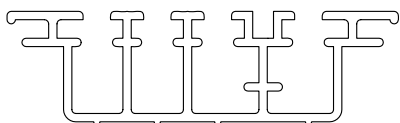
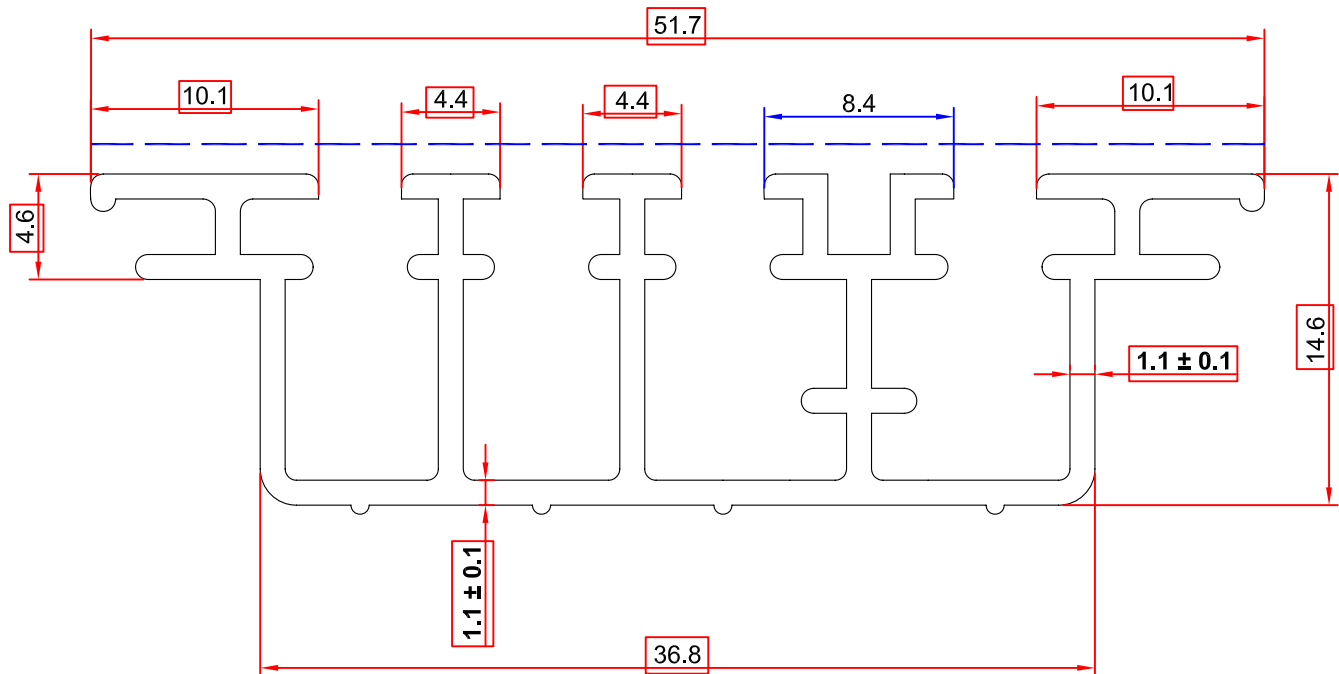


Tolerance on cut length = $+0 \text{ mm} / -1 \text{ mm}$

BLACK POWER TRACK	Code No.: PT58
Date:25/11/01	Issue No. : 001 rev. A
Dim: mm	Drawn: S.C.
Scale 3:1, 1:1	Approved:
Tolerance $\pm 0.5 \text{ mm}$ UNLESS OTHERWISE STATED	Material: Rigid UPVC
=QC Dimensions	

Euroseal Ltd
 Units 6, 7 & 8
 Tamebridge Industrial Est
 Aldridge Road
 Perry Barr
 Birmingham B42 2TX
 tel No 0121 344 4100
 fax No 0121 344 4077





Visual Face - - - - -

Scale:- 1:1

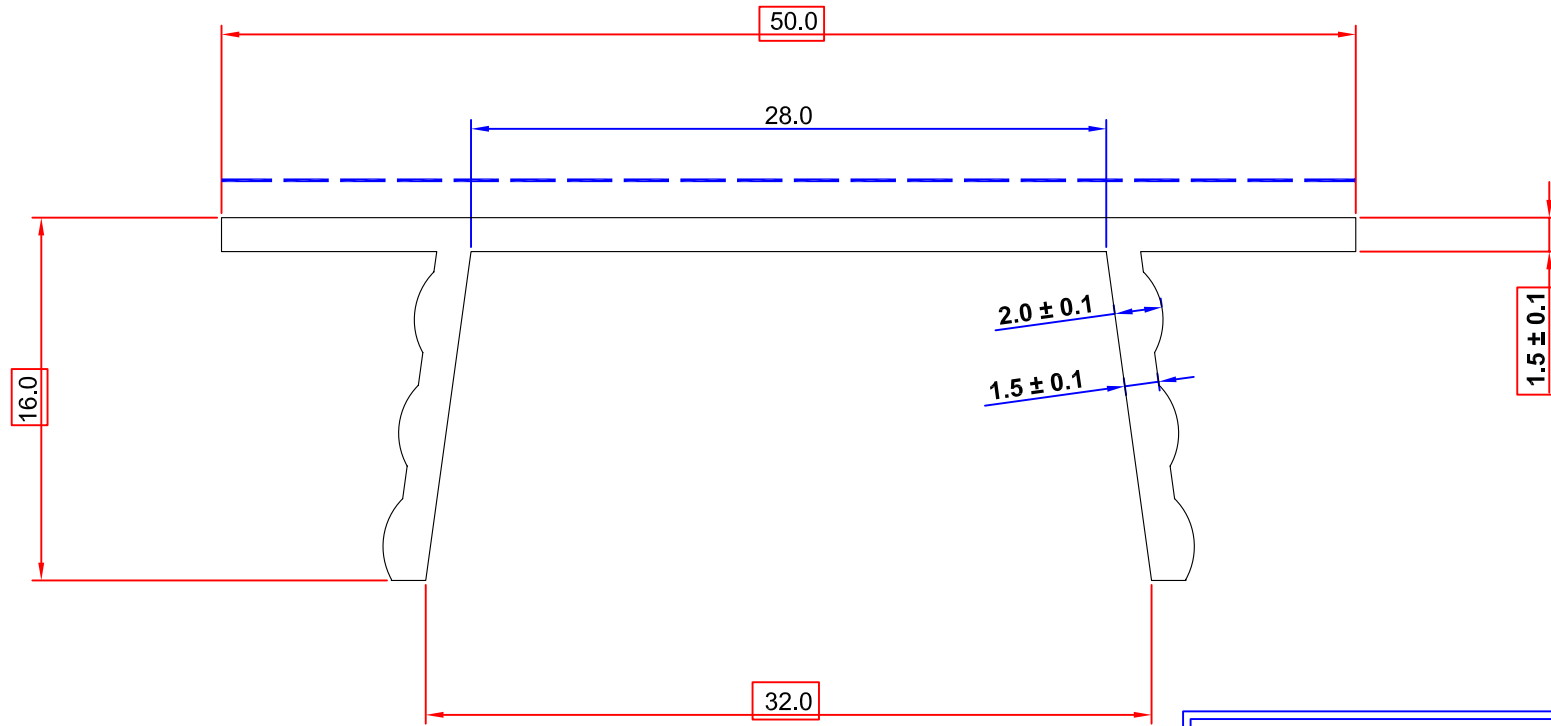
Total area
UPVC=181.3 mm²

Tolerance on cut length = +0 mm / -2 mm



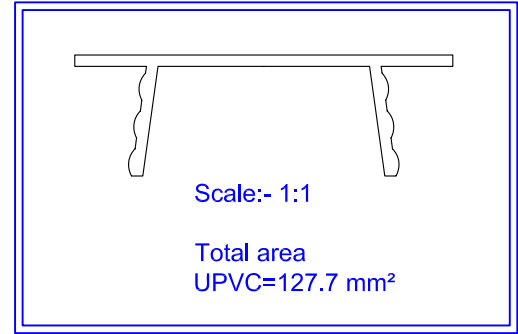
POWER TRACK	Code No.:RE100
Date: 19/06/01	Issue No. : 001 rev. A
Dim: mm	Drawn: S.C.
Scale 3:1, 1:1	Approved:
Tolerance ± 0.5mm UNLESS OTHERWISE STATED =QC Dimensions	Material: rigid UPVC

Euroseal Ltd
Units 6, 7 & 8
Tamebridge Industrial Est
Aldridge Road
Perry Barr
Birmingham B42 2TX
tel No 0121 344 4100
fax No 0121 344 4077



Visual Face -----

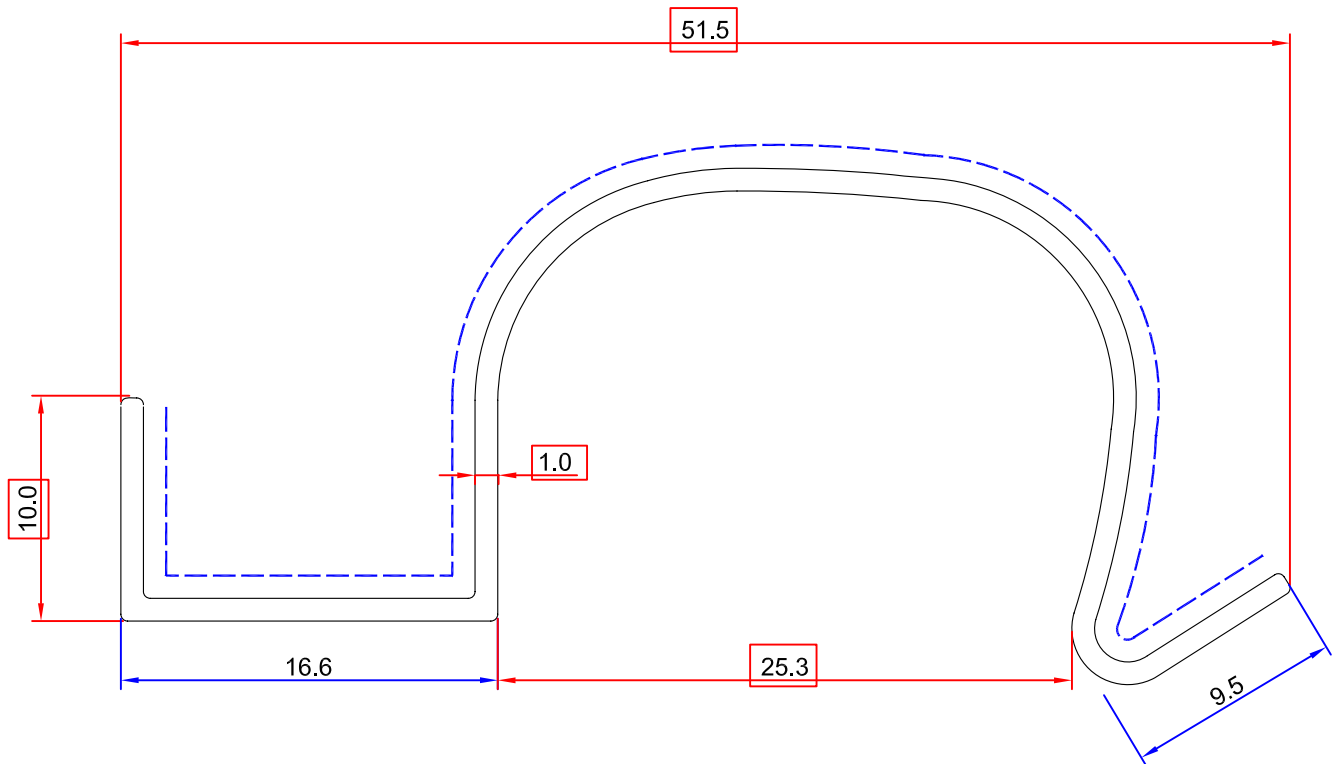
Tolerance on cut length = $+10 \text{ mm} / -0 \text{ mm}$



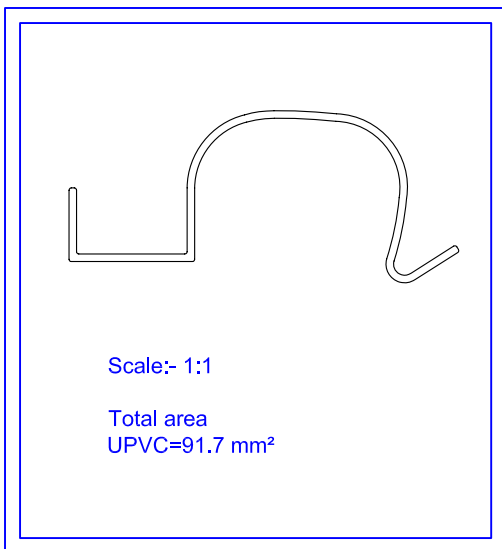
TRUNKING COVER	Code No.:RE200
Date:03/05/01	Issue No. : 001 rev. A
Dim: mm	Drawn: S.C.
Scale 3:1, 1:1	Approved:
Tolerance $\pm 0.5 \text{ mm}$ UNLESS OTHERWISE STATED	Material: Rigid UPVC
 =QC Dimensions	

Euroseal Ltd
 Units 6, 7 & 8
 Tamebridge Industrial Est
 Aldridge Road
 Perry Barr
 Birmingham B42 2TX
 tel No 0121 344 4100
 fax No 0121 344 4077





A MINIMUM WALL THICKNESS OF 0.9mm MUST BE MAINTAINED



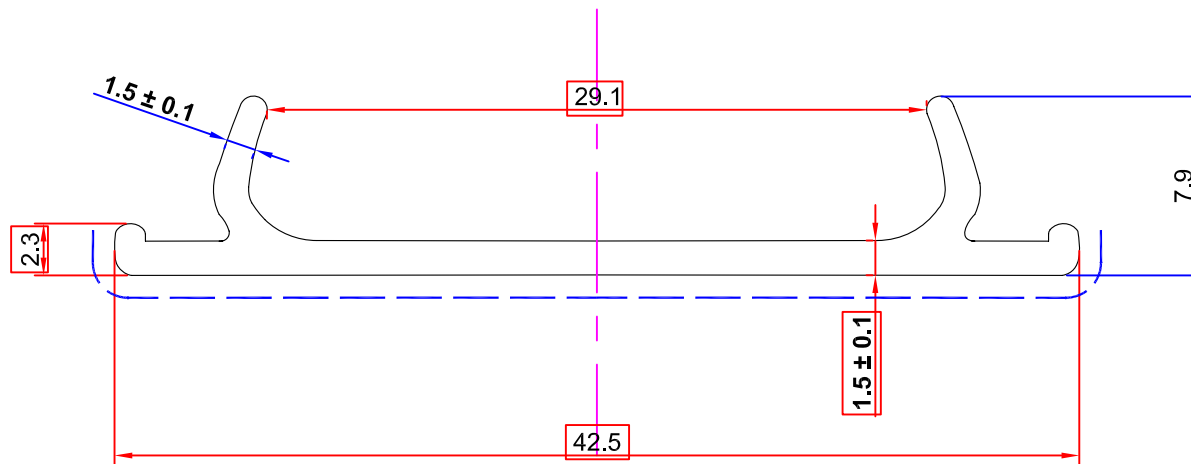
Visual Face -----



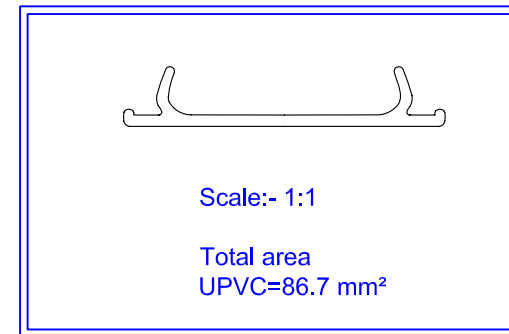
Tolerance on cut length = +10 mm / -0 mm

CABLE TRUNKING	Code No.:RS300
Date:14/06/01	Issue No. : 001 rev. A
Dim: mm	Drawn: S.C.
Scale 3:1, 1:1	Approved:
Tolerance ± 0.5mm UNLESS OTHERWISE STATED =QC Dimensions	Material: rigid UPVC

Euroseal Ltd
Units 6, 7 & 8
Tamebridge Industrial Est
Aldridge Road
Perry Barr
Birmingham B42 2TX
tel No 0121 344 4100
fax No 0121 344 4077



Visual Face



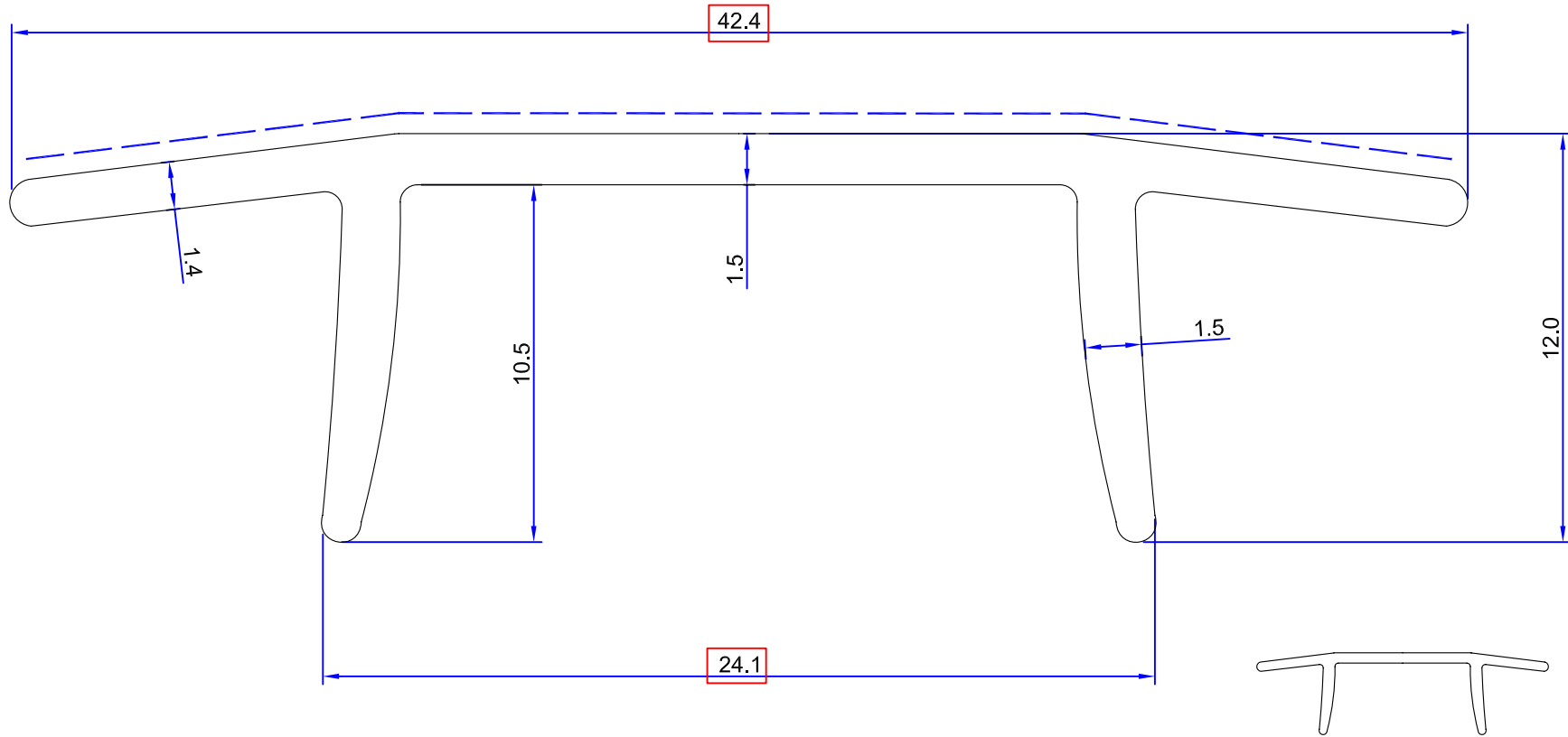
Tolerance on cut length = $+10 \text{ mm} / -0 \text{ mm}$

WHITE CAPPING	Code No.: RUT100
Date:30/06/01	Issue No. : 001 rev. A
Dim: mm	Drawn: S.C.
Scale 3:1, 1:1	Approved:
Tolerance $\pm 0.5 \text{ mm}$ UNLESS OTHERWISE STATED	Material: Rigid UPVC
 =QC Dimensions	

Euroseal Ltd
Units 6, 7 & 8
Tamebridge Industrial Est
Aldridge Road
Perry Barr
Birmingham B42 2TX
tel No 0121 344 4100
fax No 0121 344 4077



Visual Face



Tolerance on cut length = +10mm /- 0mm

Scale:- 1:1

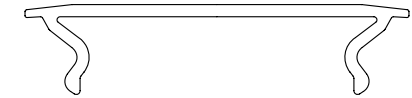
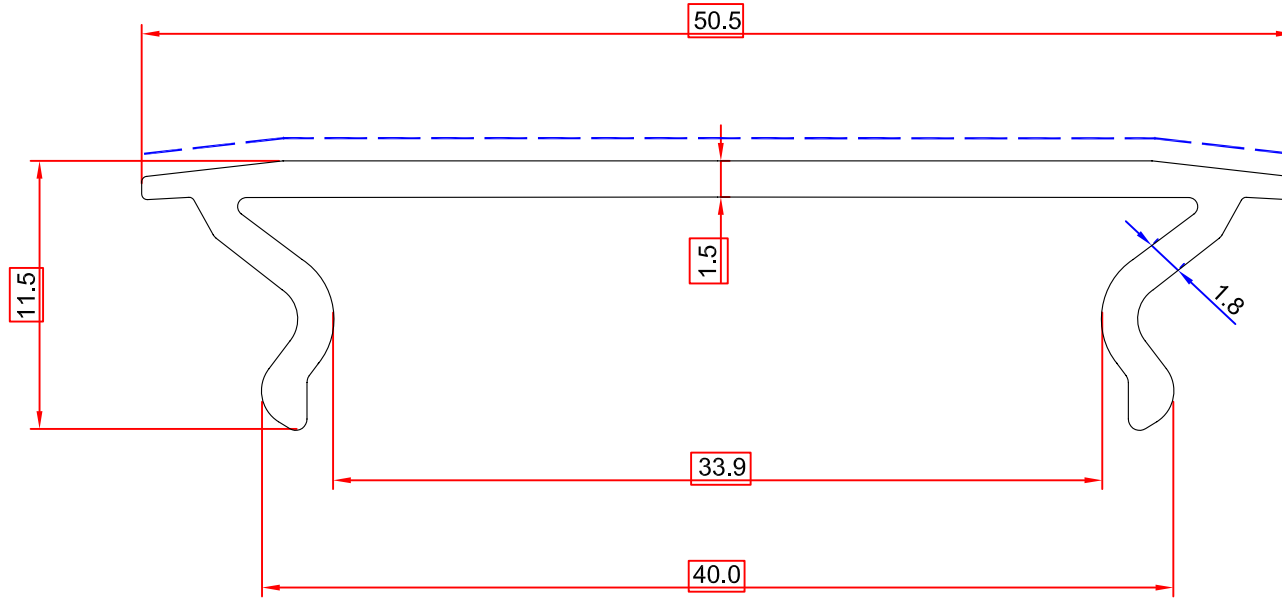
Total area
UPVC=88 mm²

Profile Capping Section	Code No.:STRUT100
Date: 18/06/02	Issue No. : 002 rev. A
Dim: mm	Drawn: S.C.
Scale 5:1, 1:1	Approved:
Tolerance ±0.5 mm <small>UNLESS OTHERWISE STATED</small>	Material: Rigid UPVC
 =QC Dimensions	

Euroseal Ltd
Units 6, 7 & 8
Tamebridge Industrial Est
Aldridge Road
Perry Barr
Birmingham B42 2TX
tel No 0121 344 4100
fax No 0121 344 4077



Visual Face



Scale:- 1:1

Total area
UPVC=116 mm²

Tolerance on cut length = $+0\text{mm} \text{ } / - 3\text{mm}$

WHITE CAPPING	Code No.:VL2202P
Date: 02/01/02	Issue No. : 001 rev. B
Dim: mm	Drawn: S.C.
Scale 3:1, 1:1	Approved:
Tolerance ± 0.5 mm UNLESS OTHERWISE STATED	Material: Rigid UPVC
 =QC Dimensions	

Euroseal Ltd
Units 6, 7 & 8
Tamebridge Industrial Est
Aldridge Road
Perry Barr
Birmingham B42 2TX
tel No 0121 344 4100
fax No 0121 344 4077

